



The product shown may differ from standard configuration.

ACTIMO® XL

Standard Seat with
Automatic Positioning System

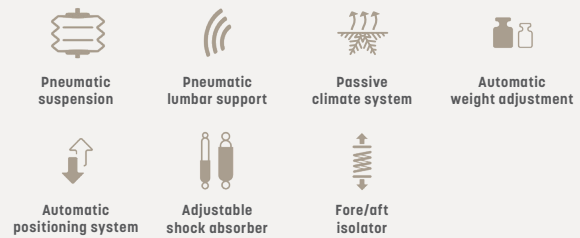


ACTIMO® XL

Technical data

Standard seat

Equipped with an automatic positioning system and an adjustable shock absorber, the Actimo XL with pneumatic suspension delivers excellent comfort. Automatic weight adjustment eliminates the time-consuming business of setting the seat to the driver's weight – an important benefit when machines are used by multiple operators.



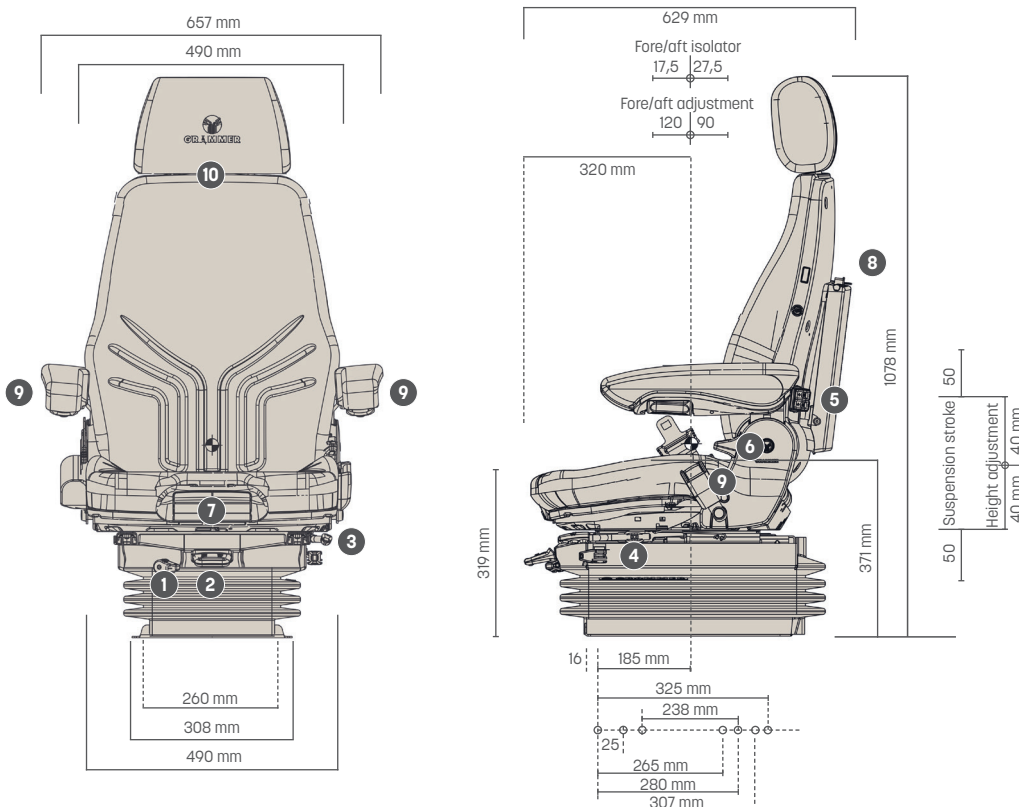
Features

ARTICLE NO.	ACTIMO® XL
Fabric, Compressor 12V	1294557
Fabric, Compressor 24V	1294562
STANDARD FEATURES	
1 Shock absorber, adjustable	●
APS (Automatic Positioning System)	●
Pneumatic suspension with 12 V compressor	●
Suspension stroke, 100 mm	●
Weight adjustment, automatic, 50-130 kg	●
2 Height adjustment, 80 mm, infinite (pneumatic)	●
Climate system, passive	●
3 Fore/aft adjustment, 210 mm	●
4 Fore/aft isolator, lockable	●
5 Lumbar support, pneumatic	●

ACTIMO® XL	ACTIMO® XL
6 Adjustable backrest angle	●
Seat cushion width	490 mm
7 Adjustable seat cushion depth and angle	●
OPTIONAL FEATURES	
8 Document box	○
9 Armrests	
65 mm x 270 mm	○
80 mm x 320 mm, adjustable angle	○
80 mm x 380 mm, adjustable angle	○
10 Headrest	○
Operator presence switch (OPS)	○
Seat heating	○
Restraint system	○
Lateral suspension	○

Measurements (installation dimensions)

● STANDARD FEATURES ○ OPTIONAL FEATURES



All dimensions in mm.
Subject to technical changes.