



The product shown may differ from standard configuration.

## ACTIMO® M

Standard Seat with Mechanical Suspension



# ACTIMO® M

## Technical data

### Standard seat

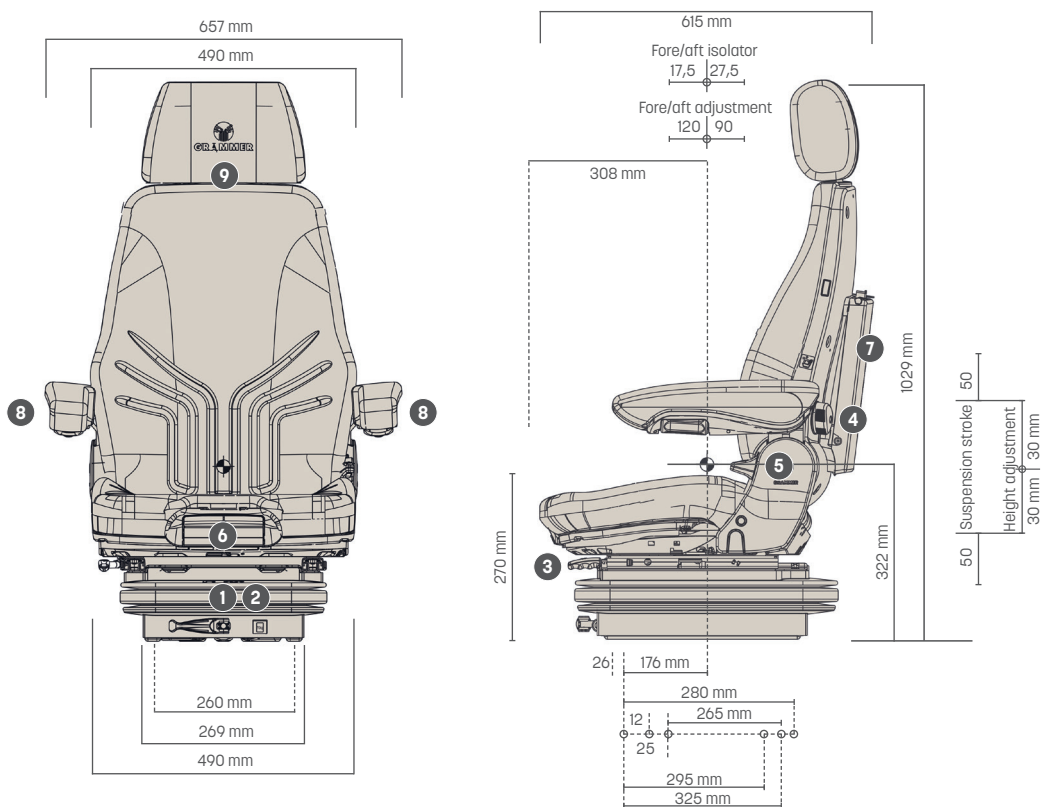
The seat is easy to set to the user's weight using a crank at the front. This is essential for optimizing the mechanical suspension's response to vibrations. Additionally the seat's height can be set to any of three positions over 60 mm depending on the operator's size and the kind of work being done.



### Features

	ACTIMO® M		ACTIMO® M
<b>ARTICLE NO.</b>		<b>6</b>	Adjustable seat cushion depth and angle
Fabric	1294547		●
Imitation leather	143734		
<b>STANDARD FEATURES</b>			<b>OPTIONAL FEATURES</b>
Shock absorber, non-adjustable	●	<b>7</b>	Document box
Mechanical suspension	●	<b>8</b>	Armrests
Suspension stroke, 100 mm	●		65 mm x 270 mm
<b>1</b> Weight adjustment, mechanical, 50-130 kg	●		80 mm x 320 mm, adjustable angle
<b>2</b> Height adjustment, 60 mm, 3-step (mechanical)	●		80 mm x 380 mm, adjustable angle
<b>3</b> Fore/aft adjustment, 210 mm	●	<b>9</b>	Headrest
<b>4</b> Lumbar support, mechanical	●		○
<b>5</b> Adjustable backrest angle	●		Restraint system
Seat cushion width	490 mm		○
			Lateral suspension
			Seat heating
			Operator presence switch (OPS)

### Measurements (installation dimensions)



All dimensions in mm.  
Subject to technical changes.